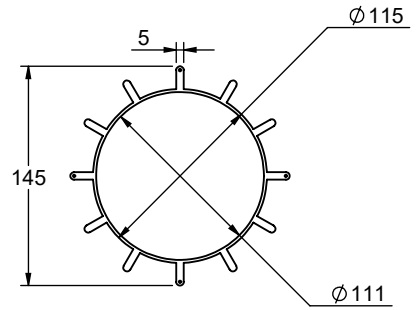
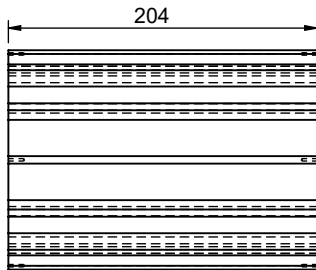


3D-MODEL



FRONT VIEW



R.S. VIEW

MATERIAL: PVC Rigid				NORMAL TOLERANCE (MM)							
WEIGHT: 0.419 KG				0-30	30-120	120-300	300-600	600-1200	1200 OVER		
SURFACE AREA:- 2.334 Sq. Ft.				±0.1	±0.2	±0.3	±0.4	±0.5	±0.8	±1.0	±1.5
				- UNLESS SPECIFIED USE ABOVE TOLERANCE							
				- REMOVE ALL SHARP EDGES							
DRAWN	NAME KRUNAL KHOKHAR	SIGNATURE	DATE 19-11-2023	TITLE: STATOR				REV: AA			
CHK'D				DWG NO. :vito_lavanga1-STATOR							
APPV'D				SHEET: 1 OF 1				SCALE:		QTY. : 01 NOS.	
MFG/Q.A.				ALL DIMENSIONS ARE IN MM				A4			

ZONE	REV.	DESCRIPTION	DATE	PERTAINS TO	APPROVED
REVISIONS					
1					