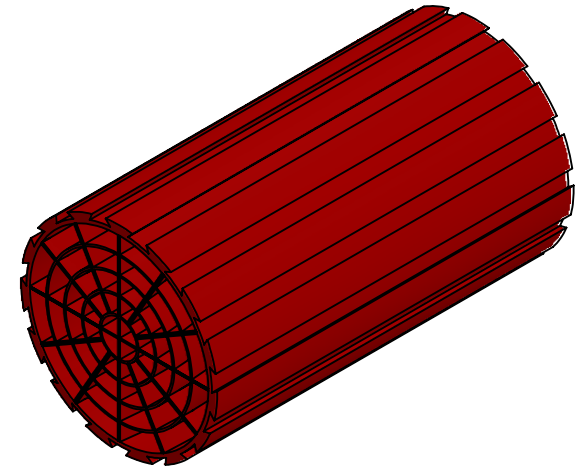
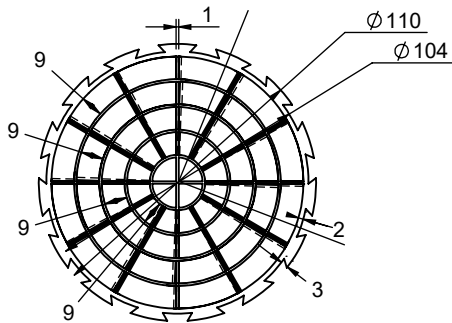



TOP VIEW



3D-MODEL



FRONT VIEW

MATERIAL: PVC Rigid				NORMAL TOLERANCE (MM)					
WEIGHT: 0.715 KG				ØP	ØD	ØD	ØD	ØD	ØD
SURFACE AREA:- 8.515 Sq. Ft.		DRAWN		SIGNATURE		DATE		TITLE:	
		NAME		SIGNATURE		DATE		ROTOR	
		KRUNAL KHOKHAR				24-11-2023			
		CHK'D							
		APPV'D						DWG NO. :vito_lavanga1-ROTOR	
		MFG/Q.A.						SHEET: 1 OF 1	
								SCALE:	
								QTY. : 01 NOS.	
								REV: AA	
								A4	
								ALL DIMENSIONS ARE IN MM	

ZONE	REV.	DESCRIPTION	DATE	PERTAINS TO	APPROVED
	A				
REVISIONS					