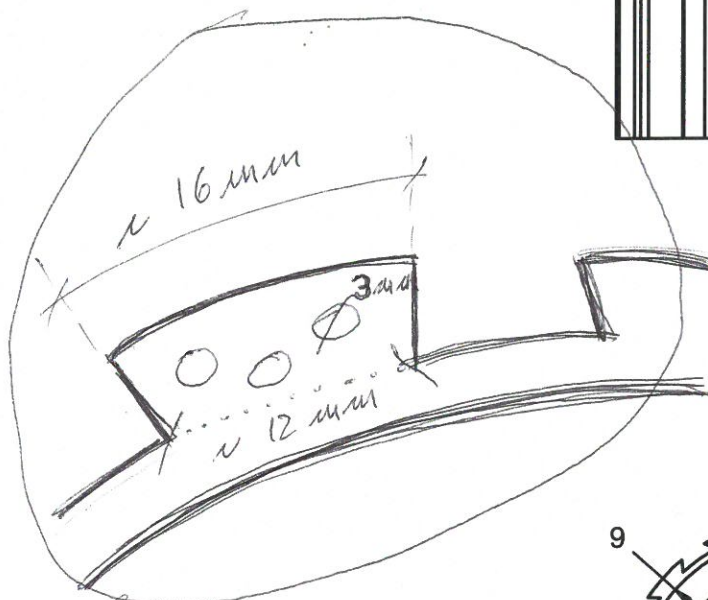
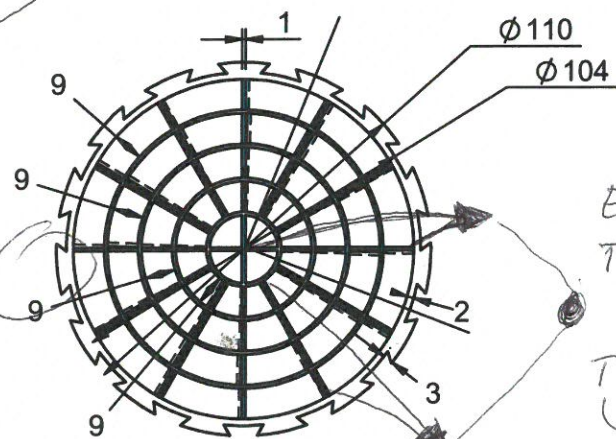


3D-MODEL



TOP VIEW



FRONT VIEW

EVERY  
THESE RAYS DEVELOP  
"ARCHIMEDEAN SCREW"  
THICKNESSES SCREW / CILINDER  
1 mm

YOU PUT 15 POLES  
NEED 12

MATERIAL: PVC Rigid		<table border="1"> <tr> <th colspan="6">NORMAL TOLERANCE (MM)</th> </tr> <tr> <td>UP</td> <td>6</td> <td>30</td> <td>120</td> <td>300</td> <td>600</td> <td>1200</td> <td>OVER</td> </tr> <tr> <td>TO</td> <td>0</td> <td>0.3</td> <td>1.0</td> <td>3.0</td> <td>6.0</td> <td>12.0</td> <td>24.0</td> </tr> <tr> <td></td> <td>+0.1</td> <td>+0.2</td> <td>+0.3</td> <td>+0.4</td> <td>+0.5</td> <td>+0.8</td> <td>+1.0</td> </tr> </table>		NORMAL TOLERANCE (MM)						UP	6	30	120	300	600	1200	OVER	TO	0	0.3	1.0	3.0	6.0	12.0	24.0		+0.1	+0.2	+0.3	+0.4	+0.5	+0.8	+1.0
NORMAL TOLERANCE (MM)																																	
UP	6	30	120	300	600	1200	OVER																										
TO	0	0.3	1.0	3.0	6.0	12.0	24.0																										
	+0.1	+0.2	+0.3	+0.4	+0.5	+0.8	+1.0																										
WEIGHT: 0.715 KG		TITLE: ROTOR																															
SURFACE AREA: - 8.515 Sq. Ft.		DWG NO. :vito_lavanga1-ROTOR																															
DRAWN	NAME KRUNAL KHOKHAR	SIGNATURE	DATE 24-11-2023																														
CHK'D																																	
APPV'D																																	
MFG/Q.A.																																	
REVISIONS		SHEET: 1 OF 1																															
		SCALE:																															
		QTY. : 01 NOS.																															
		ALL DIMENSIONS ARE IN MM																															
		REV: AA																															
		A4																															