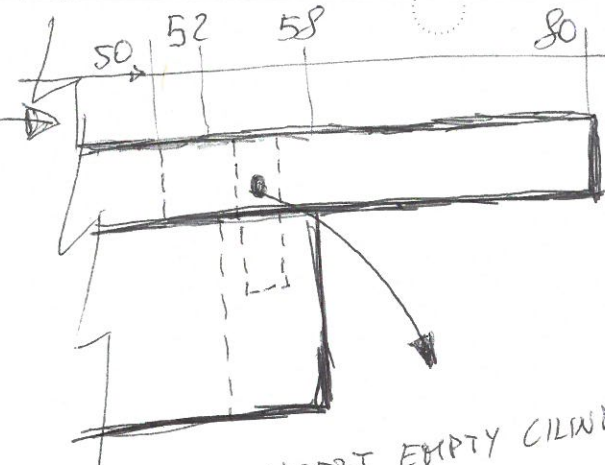


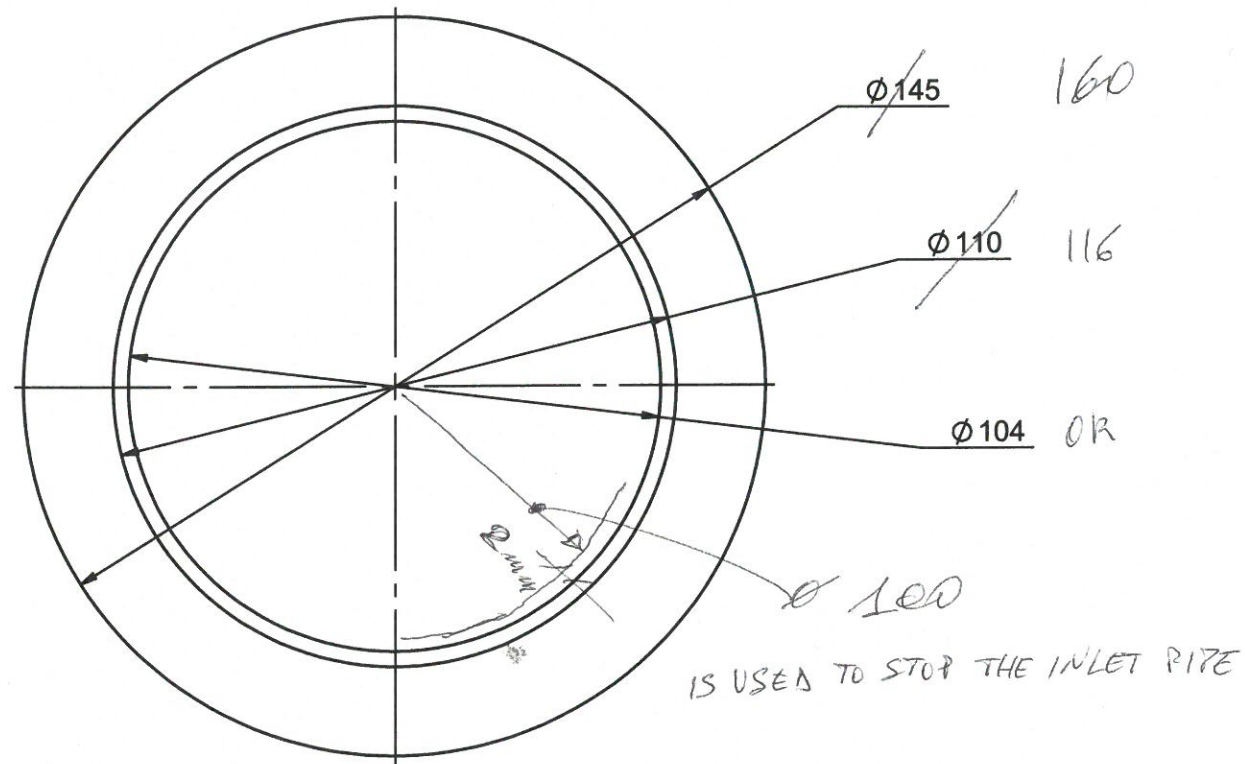
TOP VIEW



INSERT EMPTY CILINDERS
(ϕ 3mm, LENGTH 10mm)



3D-MODEL



FRONT VIEW

MATERIAL: PVC Rigid			<table border="1"> <tr> <th colspan="6">NORMAL TOLERANCE (MM)</th> </tr> <tr> <td>UP TO 6</td> <td>6 - 30</td> <td>30 - 120</td> <td>120 - 300</td> <td>300 - 600</td> <td>600 - 1200</td> <td>1200 - 2400</td> <td>OVER 2400</td> </tr> <tr> <td>±0.10</td> <td>±0.15</td> <td>±0.20</td> <td>±0.30</td> <td>±0.40</td> <td>±0.50</td> <td>±0.60</td> <td>±1.00</td> </tr> </table>		NORMAL TOLERANCE (MM)						UP TO 6	6 - 30	30 - 120	120 - 300	300 - 600	600 - 1200	1200 - 2400	OVER 2400	±0.10	±0.15	±0.20	±0.30	±0.40	±0.50	±0.60	±1.00
NORMAL TOLERANCE (MM)																										
UP TO 6	6 - 30	30 - 120	120 - 300	300 - 600	600 - 1200	1200 - 2400	OVER 2400																			
±0.10	±0.15	±0.20	±0.30	±0.40	±0.50	±0.60	±1.00																			
WEIGHT: 0.091 KG			<p>- UNLESS SPECIFIED USE ABOVE TOLERANCE</p> <p>- REMOVE ALL SHARP EDGES</p>																							
SURFACE AREA: - 0.432 Sq. Ft.			TITLE:																							
NAME	SIGNATURE	DATE	DWG NO. : vito_lavanga1-FLANGE																							
DRAWN	KRUNAL KHOKHAR	24-11-2023	REV: AA																							
CHK'D			SHEET: 1 OF 1																							
APP'VD			SCALE:	QTY. : 02 NOS.																						
MFG/Q.A.			A4																							

ZONE	REV.	DESCRIPTION	DATE	PERTAINS TO	APPROVED
	A				
REVISIONS					